



Otter

Parts list

Introduction

© Nibotechnics

Nibotechnics products are patented or patent pending. Patent information is available by contacting Nibotechnics.

The policy of Nibotechnics is one of continuous development and we therefore reserve the right to make technical alterations without notice. The content of this publication may not be copied either whole or in part without the consent of Nibotechnics.

This product and its accessories have been manufactured by :

Nibotechnics nv, Heikant 5, B-3930 Hamont-Achel, Belgium.

'Otter' is a registered trademark of Nibotechnics.

Contents

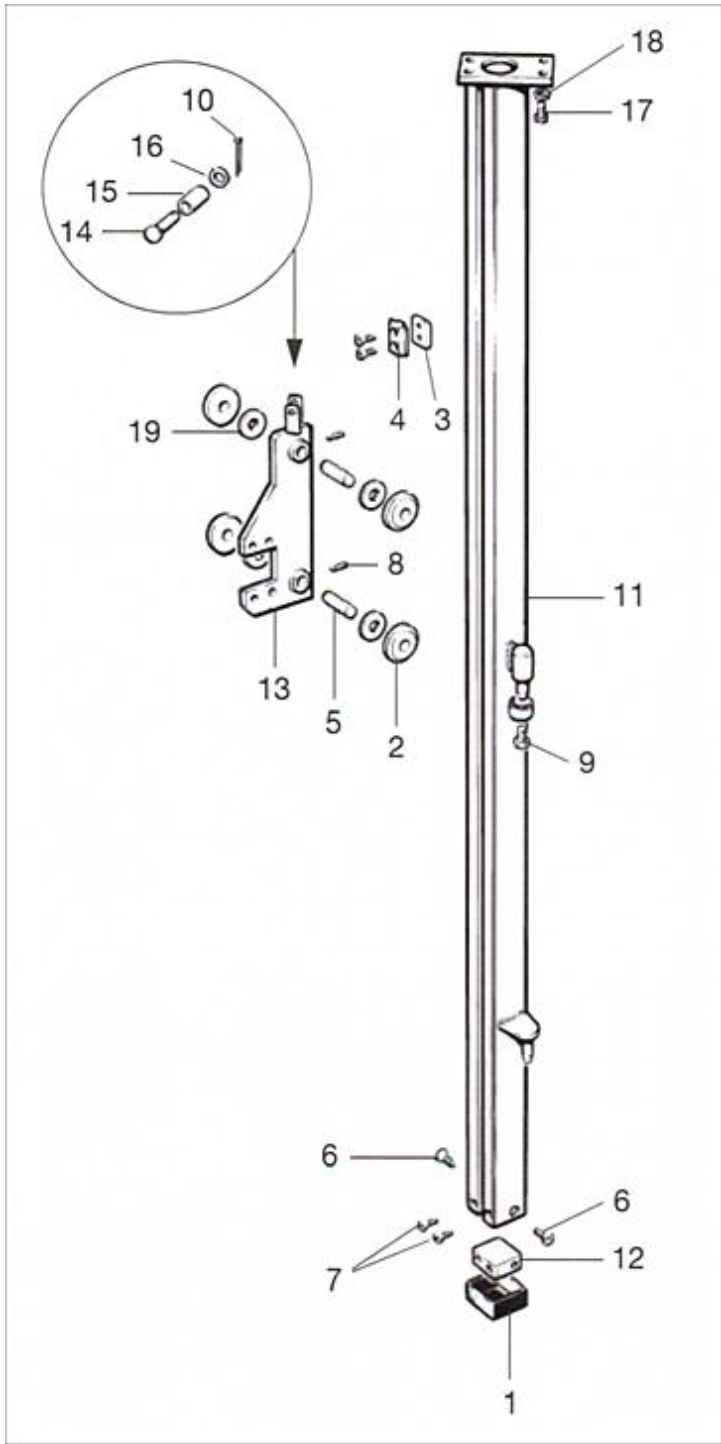
SECTION

1. Mast and traveller	4
2. Winch	6
3. Seat & frame	8
4. Frame & fittings	9

1. Mast & traveller

Items on p. 5

Item	Part number	Quantity	Description
1	DX08260.0	1	Mast cap
2	DX08530.0	4	Guide wheel
3	DX08550.0	1	Traveller stop - inner
4	DX08560.0	1	Traveller stop - outer
5	DX08600.0	2	Axle guide wheel
6	DX08770.0	4	Screw CSK SKT M8 x 20
7	DX08780.0	2	Screw CSK SKT M6 x 20
8	DX08810.0	2	Screw SET SKT M6 x 10
9	DX08890.0	1	Screw HEX SET M8 x 12
10	DX08990.0	1	Pin split
11	DX27001.0	1	Mast
12	DX27060.0	1	Terminal block
13	DX27110.0	1	Traveller
14	DX27140.0	1	Pin
15	DX27150.0	1	Bush
16	DX27560.0	1	Washer M8
17	DX29220.0	4	Screw Cap SKT HD M8 x 25
18	DX29230.0	4	Spring washer M8
19	DX29540.0	4	Spacing washer
20	DX29420.0	1	Spacer (not illustrated)



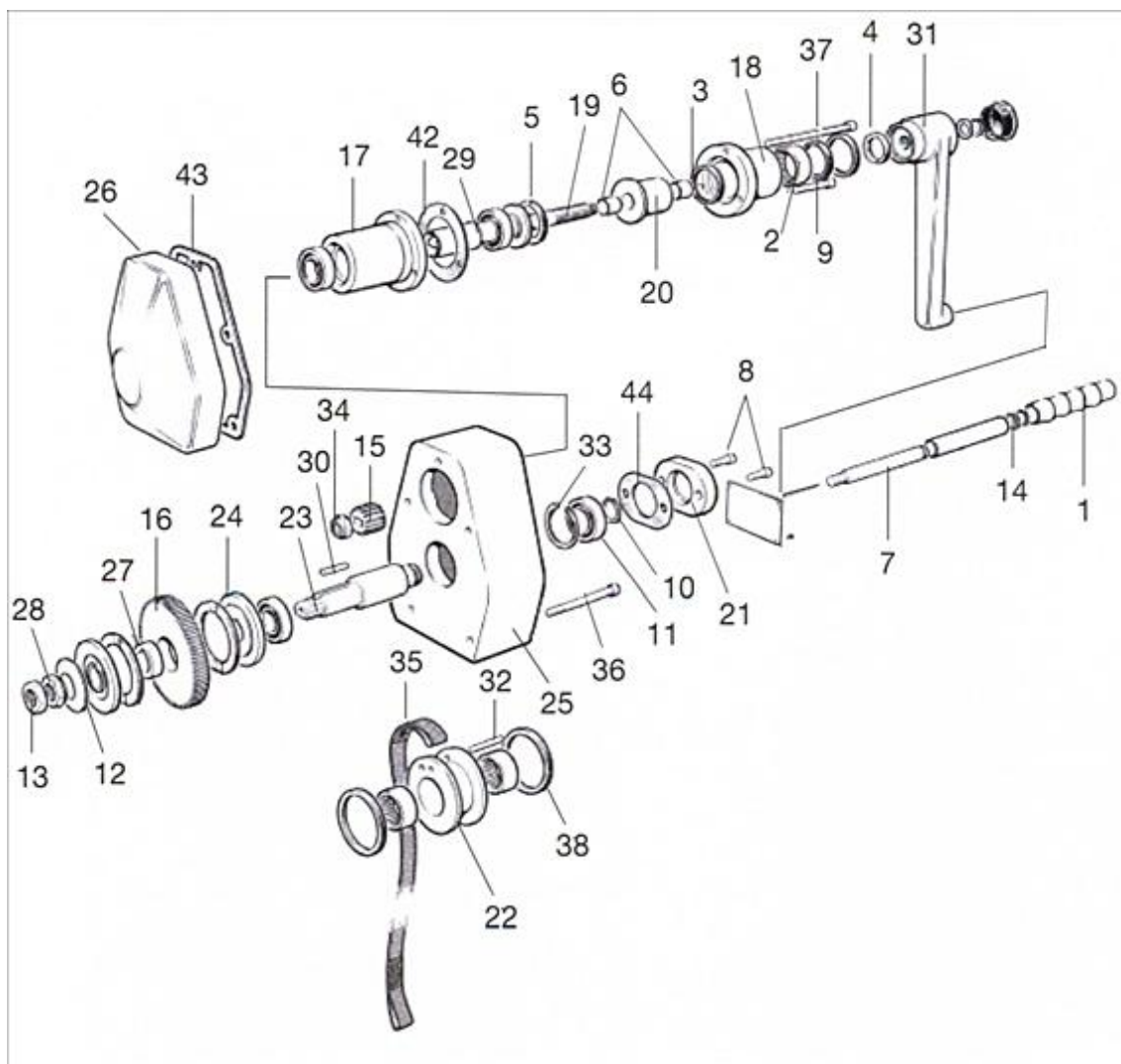
2. Winch

Items on p. 7

Item	Part number	Quantity	Description
1	AX01120.0	1	Sleeve
2	CX09000.0	3	Bearing
3	CX09230.0	2	Seal
4	CX15070.0	1	Friction disc
5	CX15080.0	1	Friction disc
6	CX15160.0	2	Bush
7	DX08290.0	1	Handle spindle
8	DX08740.0	2	Screw Cap SKT M6 x 16
9	DX08750.0	2	Screw Cap SKT M6 x 30
10	DX08860.0	1	Circlip
11	DX08920.0	4	Bearing
12	DX08960.0	1	Disc spring
13	DX09140.0	1	Lock nut M24
14	DX09210.0	2	Washer
15	DX29000.0	1	Pinion
16	DX29010.0	1	Gear
17	DX29020.0	1	Housing primary shaft
18	DX29030.0	1	Housing primary roller clutch
19	DX29040.0	1	Shaft
20	DX29050.0	1	Flanged race
21	DX29060.0	1	Cover
22	DX29070.0	1	Drum
23	DX29080.0	1	Shaft
24	DX29090.0	2	Pressure plate
25	DX29100.0	1	Housing
26	DX29110.0	1	Gear cover
27	DX29120.0	1	Bush
28	DX29130.0	1	Lock nut
29	DX29140.0	1	Spacer tube
30	DX29150.0	1	Key
31	DX29160.0	1	Crank
32	DX29180.0	1	Pin
33	DX29190.0	1	Circlip
34	DX29200.0	1	Nut M16
35	DX29210.0	1	Strop
36	DX29240.0	4	Screw Cap SKT M6 x 90
37	DX29250.0	1	Screw Cap SKT M6 x 110
38	DX29260.0	2	Nu lip ring
39	DX29270.0	2	Friction disc
40	DX29580.0	1	Seal
41	DX29310.0	1	Plug black

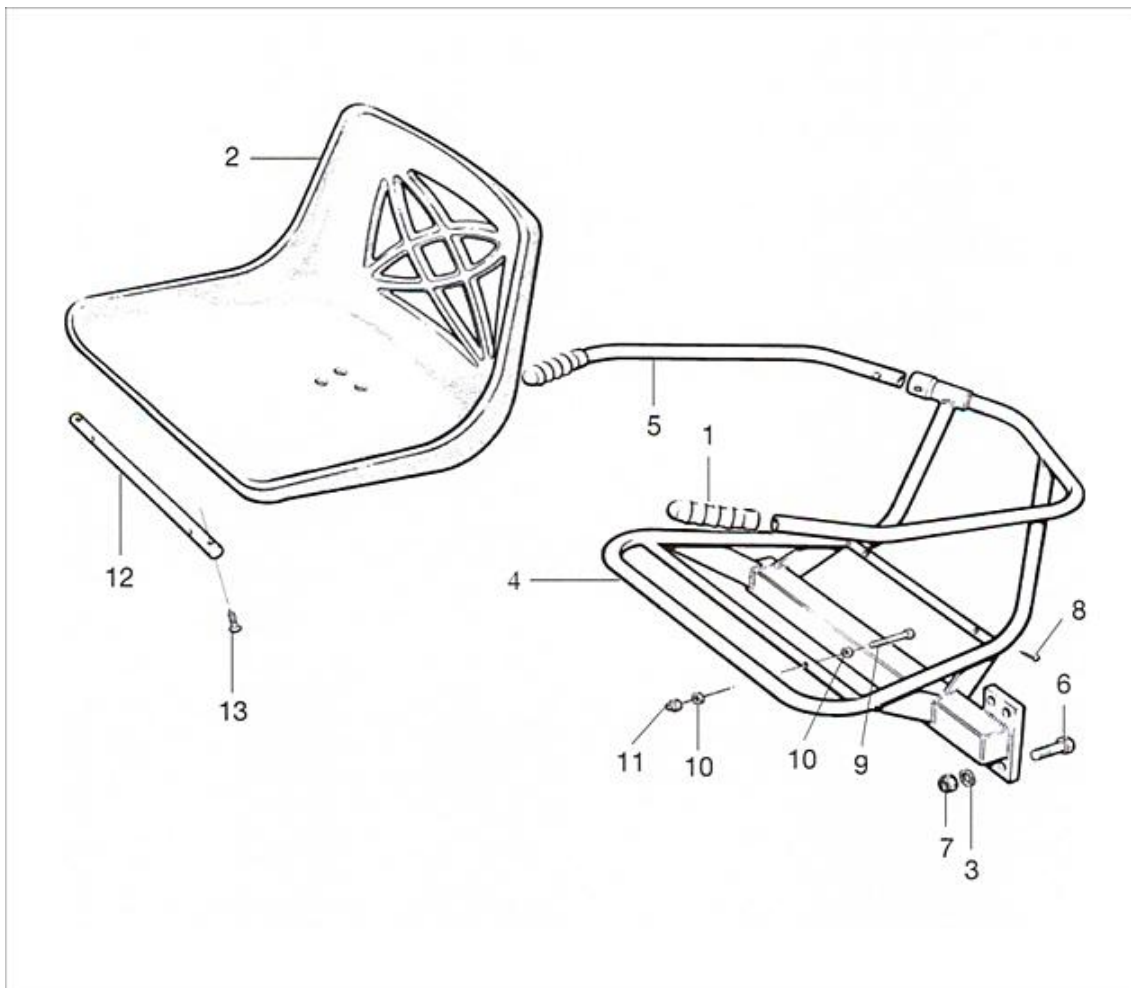
Items on p. 7

Item	Part number	Quantity	Description
42	DX29330.0	1	Gasket primary clutch housing
43	DX29550.0	1	Gasket - gear cover
44	DX29560.0	1	Gasket - cover
45	KRX21130.0	1	Label - read operating and product care instructions
46	OTT4000	1	(part not illustrated)



3. Seat & frame

Item	Part number	Quantity	Description
1	AX09290.0	2	Handgrip large - white
2	BX07580.0	1	Seat
3	DX08830.0	4	Washer M10
4	DX27070.0	1	Seat frame
5	DX27100.0	1	Swivel arm
6	DX27450.0	4	RVS M10 x 35
7	DX27490.0	4	Nyloc nut M10
8	DX32100.0	2	Screw self tap
9	AX21930.0	2	Bolt HEX HD M6 x 45
10	DX14380.0	4	Washer flat M6
11	GX17650.0	2	Nyloc nut M6
12	AX21920.0	1	Seat attachment bar
13	AX21940.0	2	Screw



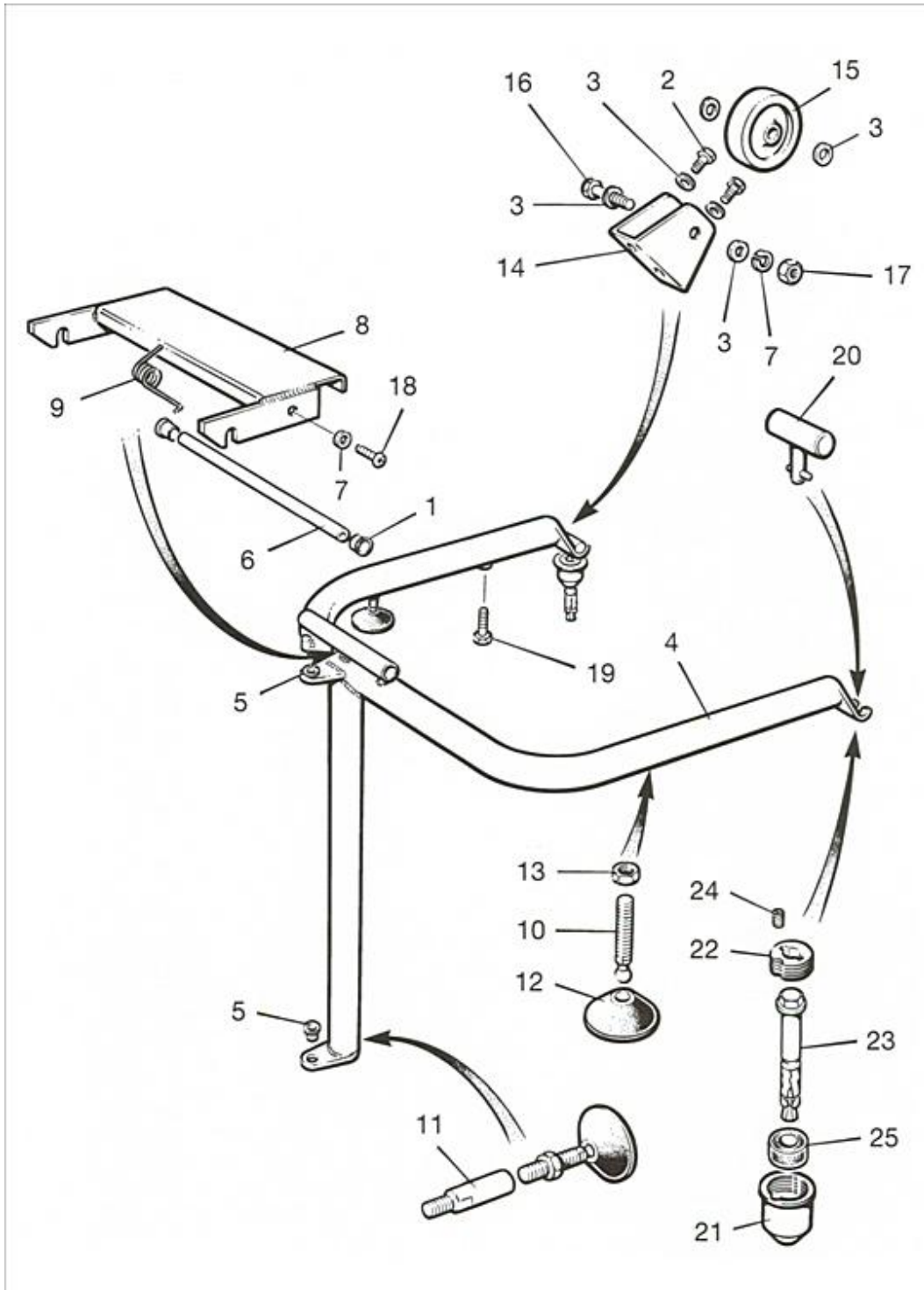
4. Frame & fittings

Items on p. 11

Item	Part number	Quantity	Description
1	DX29520.0	2	Bush (to drawing)
2	DX09680.0	4	Screw Hex set M6 x 10
3	DX09690.0	12	Washer M6
4	DX27162.0	1	Frame - standard
	DX27172.0	1	Frame +150
	DX27182.0	1	Frame + 300/440 reac
	DX27552.0	1	Frame + 445 mm
5	DX27252.0	1	Bush
6	DX29510.0	1	Shaft
7	DX09240.0	2	Washer spring M6
8	DX27631.0	1	Arrestor
9	DX27640.0	1	Torsion spring
10	DX27410.0	3	Reactor screw
11	DX27420.0	1	Extension
12	DX27430.0	3	Reaction pad
13	DX27470.0	3	Nut M12
14	DX29340.0	2	Wheel bracket
15	DX29350.0	2	Wheel
16	DX29360.0	2	Bolt M6 x 40
17	GX17650.0	2	Nut M6 Nyloc
18	DX06720.0	2	Screw Pan Pozi
19	DX08710.0	2	Screw Hex set M12 x 20 (part intended for the Otter base + 300/400 assy and for the Otter base +445/150 mm)
			Otter anchor kit
20	DX27340.0	2	Anchor (T bar)
21	DX27380.0	2	Socket
22	DX27390.0	2	Barrel
23	DX29460.0	2	Rawplug safety Plus M10
24	DX27570.0	2	Nylon bush
25	DX27700.0	2	Spacer (Foam rubber)

Items on p. 11

Item	Part number	Quantity	Description
			Spaced Anchor assy (parts not illustrated)
26	DVX1031.0	2	Spacer Block 26 mm (Spaced anchor 30 mm)
	DVX1032.0	2	Spacer Block 46 mm (Spaced anchor 50 mm)
	DVX1033.0	2	Spacer Block 66 mm (Spaced anchor 70 mm)
	DVX1034.0	2	Spacer Block 86 mm (Spaced anchor 90 mm)
	DVX1035.0	2	Spacer Block 106 mm (Spaced anchor 110 mm)
	DVX1036.0	2	Spacer Block 126 mm (Spaced anchor 130 mm)
	DVX1037.0	2	Spacer Block 146 mm (Spaced anchor 150 mm)
27	DVX1041.0	2	Anchor extension (Spaced anchor 30 mm)
	DVX1042.0	2	Anchor extension (Spaced anchor 50 mm)
	DVX1043.0	2	Anchor extension (Spaced anchor 70 mm)
	DVX1044.0	2	Anchor extension (Spaced anchor 90 mm)
	DVX1045.0	2	Anchor extension (Spaced anchor 110 mm)
	DVX1046.0	2	Anchor extension (Spaced anchor 130 mm)
	DVX1047.0	2	Anchor extension (Spaced anchor 150 mm)
28	DX27370.0	2	Pin
29	DX27570.0	2	Nylon bush
30	DX27700.0	2	Spacer (foam rubber)
31	DX29460.0	2	Rawplug safety Plus M10
32	DX27390.0	2	Barrel
33	DX27380.0	2	Socket
34	DVX1030.0-1	4	Washer



Produced by:

Nibotechnics nv

Heikant 5 | 3930 Hamont-Achel | Belgium

T +32 (11) 80 20 40 | info@nibotechnics.com | www.nibotechnics.com